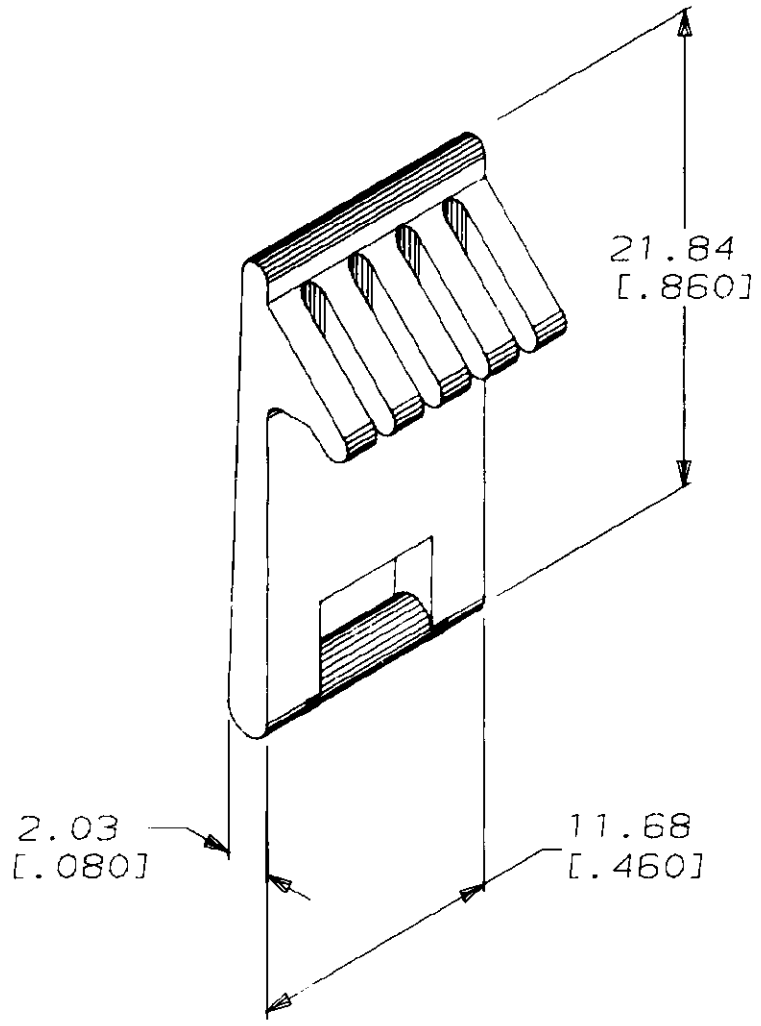


DRAWING MADE IN THIRD ANGLE PROJECTION



LOC	DIST	P	F	LTR	DESCRIPTION	DATE	APPROVED
CF	39			0	RELEASED	3-26-92	JRS

THIS DRAWING IS UNPUBLISHED. RELEASED FOR PUBLICATION BY AMP INCORPORATED. ALL INTERNATIONAL RIGHTS RESERVED. © COPYRIGHT 19



620356-1
PART NO

DO NOT SCALE PRINT. UNLESS SPECIFIED DIMENSIONS IN mm (IN) TOLERANCES ON:
 2 PLC DEC ± -
 3 PLC DEC ± -
 ANGLES ± -

MATERIAL
 THERMOPLASTIC

FINISH
 COLOR: GRAY

DR 3-26-92
 J R SHUEY

CHK 3-26-92
 R J HNATUCK

APPD 3-26-92
 R J HNATUCK

APPD -
 PRODUCT SPEC -

APPLICATION SPEC -

WEIGHT -

AMP AMP Incorporated
 Harrisburg, PA 17105-3608

NAME
 LATCH, STRIPLINE 100

SIZE A	CAGE CODE 00779	DRAWING NO 620356
SCALE NTS	SHEET 1 OF 1	

AMP 1469-32 REV 2-92

26 MAR 1992

14:59:20

AMP08095

<U51280>DEPT2020>AMP08095>U. SL 100>U. 352

CUSTOMER DRAWING