

## KISSLING BATTERY DISCONNECTOR

Series 35 / 400 A

Our manually operated battery disconnecter meets the most demanding requirements in all vehicle applications. The nominal current ratings refer to continuous DC current at up to 100% duty cycle and the switches are built to switch under full load. Our battery disconnectors can handle very high overloads, including up to 5x the rated continuous current level for up to 10 seconds.

All series 35 battery disconnectors are sealed with a technology that meets the IP67 and IP6K9K (steam pressure cleaning) standards and the switches are designed to operate at temperatures between -40°C and +85°C.

Options include single pole configurations for the 400 A range, various mounting and locking (security) alternatives as well as different shapes and colors of the operating handles. Alternatively, 2-pole configurations options are available in other amp ranges (200 A and 500 A).

Battery disconnectors from our KISSLING product family are able to be operated under full load, to ensure a safe disconnection from the battery in emergency conditions. To provide fleet safety, the range also has optional protection against theft or unauthorized use of vehicles or equipment, by removable or lockable operating elements, as well as lockout-tagout capable switches.

### FEATURES

- Sealed housing meets IP67 and IP6K9K
- Robust design
- 6G shock and 4G vibration resistant
- Main contact current rated for continuous current and 100% duty cycle
- Battery disconnect under load in case of an emergency
- Variable mounting options
- Safety in vehicle service by lockable options

### APPLICATIONS

- Truck
- Bus
- Ground support vehicles
- Construction and agricultural vehicles
- Railway
- Aircraft

# KISSLING BATTERY DISCONNECTOR

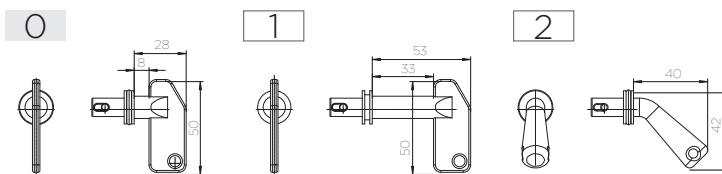
Series 35 / 400 A

## SPECIFICATION

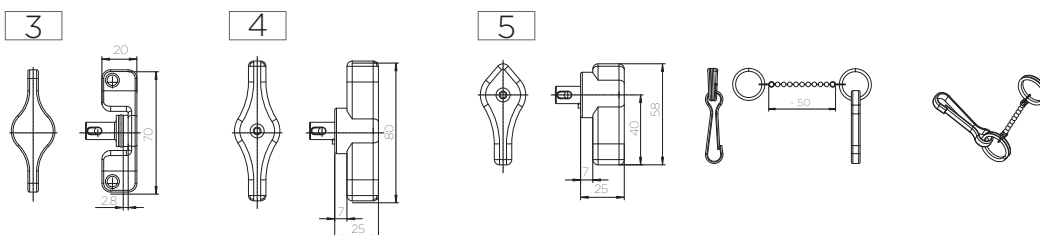
Technical Data	
Temperature range	-40°C to +85°C
Protection	IP67 / IEC 529
Vibration	4G (50 - 2000 Hz)
Shock	6G, 11 msec
Thread sizes / Torque	M10 = 15 - 20 Nm   M12 = 18 - 22 Nm

Electrical Data	
Mechanical life	10,000 cycles * Mechanical long-life options are possible with custom configuration.
Min. insulation resistance	100 MΩ
Dielectric withstanding voltage	1050 V / 1 min at 50 Hz
Max. contact drop max. load	150 mV
Voltage range	up to 32 VDC nominal
Duty rating continuous	400 A
Overload	1200 A - 240 sec / 1600 A - 90 sec / 2000 A - 10 sec. Overload only possible with contacts already closed. Do not actuate switch under overload conditions.
Wire section	min. 150 mm <sup>2</sup>
Mounting position	Any orientation
Switching capability	Only possible up to continuous duty rating

## AVAILABLE KEYS



Key Options	
0	Standard
1	Standard long
2	45° turn off
3	T-handle
4	Double wing
5	Pointer key



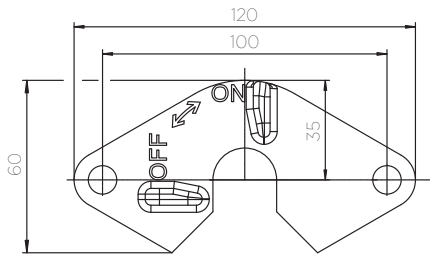
Key with chain	
6	Standard
7	Standard long
8	45° turn off
9	T-handle

# KISSLING BATTERY DISCONNECTOR

Series 35 / 400 A

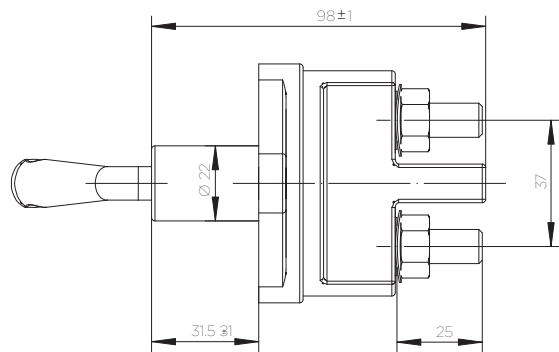
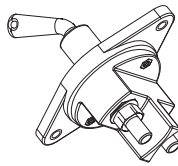
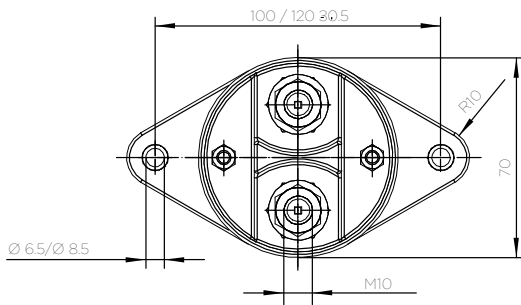
## KEYHOLDER

Not for switches with central mounting / optional available

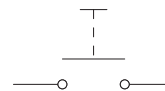


## TECHNICAL DRAWINGS

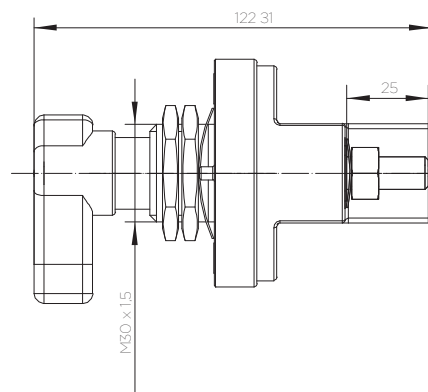
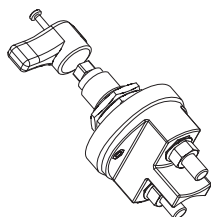
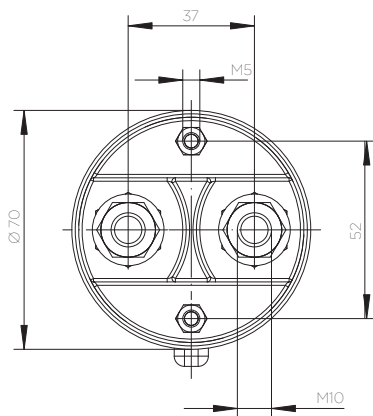
1-pole with longflange



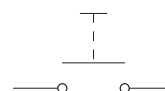
Circuit



1-pole with central mounting



Circuit



# KISSLING BATTERY DISCONNECTOR

Series 35 / 400 A

## ORDERING INFORMATION

Part Number  
example: 35-410-000-R  
35 - \_ - \_ - \_ - \_

If the PN has a "-9xx" added at the end, it indicates some form of customization to the basic PN.

### Current

4	Current 400 A
---	---------------

### No. Poles

1	1-pole
---	--------

### Mounting options

1	Longflange 100 / Ø 6,5
2	Longflange 120 / Ø 6,5
3	Central mounting
4	Longflange 100 / Ø 8,5
5	Longflange 120 / Ø 8,5

### Key colours

R	red
S	black
GN	green
GE	yellow

### Key type

0	removable
1	not removable

### Key options

X	see overview page 2
---	---------------------

### Thread

1	M10
2	M12

## te.com/KISSLING

© 2023 TE Connectivity. All rights reserved.

KISSLING, TE, TE Connectivity, and TE connectivity (logo) are trademarks owned or licensed by the TE Connectivity Ltd. family of companies. Other logos, product(s) and/or company names might be trademarks of their respective owners.

TE Connectivity's (TE's) only obligations are those stated in TE's General Terms and Conditions of Business ([www.te.com/aboutus/tandc.asp](http://www.te.com/aboutus/tandc.asp)). While TE has made every reasonable effort to ensure the accuracy of the information in this catalog, TE does not guarantee that it is error-free, nor does TE make any other representation, warranty or guarantee that the information is accurate, correct, reliable or current. TE reserves the right to make any adjustments to the information contained herein at any time without notice. TE expressly disclaims all implied warranties regarding the information contained herein, including, but not limited to, any implied warranties of merchantability or fitness for a particular purpose. The specifications in this catalog are for reference purposes only and are subject to change without notice. Consult TE for the latest dimensions and design specifications.

Published 11-2023