

# UTILUX CABLE MANAGEMENT

QUICK REFERENCE GUIDE

# UTILUX CABLE TIES



CT1503 and CT1503W Cable Ties

## Utilux Uti-Tie Nylon Cable Ties

Uti-Ties nylon cable ties are made of hard wearing 6/6 nylon in either natural or UV resistant black. Their smooth edges and tapered tip means they are quick and easy to apply and their self locking system resists slippage even under the additional stress of continual flexing and bending. With a wide range of widths and lengths available, all applications can be covered. However should you not have the correct length cable tie on hand, the Uti- Tie can be interlocked in a “chain” with no loss of loop strength.

## Utilux Uti-Lok Stainless Steel Ties

Uti-Lok stainless steel cable ties provide solutions for all your clamping problems. Uti-Lok are used world wide to secure poles, cables, pipes and a host of other clamping functions. Uti-Lok stainless steel cable ties have high resistance to heat (<math><500^{\circ}\text{C}</math>) and can withstand salts and acids. They are the perfect choice for Indoor, Outdoor and Underground applications. Uti-Lok are safe to the operator, having burr free edges. Uti-Lok are subjected to rigorous physical testing during production, including random loop tensile testing. Made from Stainless Steel 316 grade to provide superior resistance to corrosion as needed in harsh environments such as marine and mine sites. Uti-Lok are available coated, pure polyester coatings are applied to the Roller Ball Coated ties to enhance the corrosion protection and act as a barrier to avoid corrosion between dissimilar metals. Spring type roller ball cable ties are also available, the unique spring form maintains greater installed tension on nonresilient objects.

## UTI-TIE

### Nylon Cable Ties

#### FEATURES

- Durable
- Smooth edges to avoid cuts
- Tempered tip for ease of use
- Self locking system resists slippage
- Re-sealable packaging

#### APPLICATIONS

- With a wide range of widths and lengths available, all applications can be covered.
- However should you not have the correct length cable tie on hand, the Uti-Tie can be interlocked in a "chain" with no loss of loop strength.

#### BENEFITS

- ♦ Hard wearing 6/6 nylon
- ♦ Natural
- ♦ UV resistant black

#### Standard Nylon Ties



Natural	Weather Resistant	Length (mm)	Width (mm)	Max Bundle Dia (mm)	Tensile Strength (kg)	Pack Qty
CT1002	CT1002W	102	2.5	16	8	100/1000
CT1503	CT1503W	150	3.6	32	13	100/1000
CT2004	CT2004W	200	4.8	44	22	100/1000
CT3004	CT3004W	300	4.8	76	22	100/1000
CT3704	CT3704W	370	4.8	100	22	100

#### Heavy Duty Nylon Ties



Natural	Weather Resistant	Length (mm)	Width (mm)	Max Bundle Dia (mm)	Tensile Strength (kg)	Pack Qty
CT3807	CT3807W	380	7.6	102	54	100/1000
-	CT5507W	550	7.6	160	54	100/1000
-	CT7009W	700	9	220	80	100

#### Extra Heavy Duty Nylon Ties



Natural	Weather Resistant	Length (mm)	Width (mm)	Max Bundle Dia (mm)	Tensile Strength (kg)	Pack Qty
-	CT55012W	550	12.7	160	110	100

#### Cable Tie Mounts - 4 Way

Natural	Length (mm)	Width (mm)	Height (mm)	Pack Qty
TM19194	19	19	4	100
TM28284	28	28	4	100



## UTI-LOK

Roller ball uncoated stainless steel ties

### FEATURES

- Uti-Lok stainless steel cable ties provide solutions for all your clamping problems. Uti-Lok are used world wide to secure poles, cables, pipes and a host of other clamping functions.

### APPLICATIONS

- They are the perfect choice for Indoor, Outdoor and Underground applications. Uti-Lok are safe to the operator, having burr free edges
- Uti-Lok are subjected to rigorous physical testing during production, including random loop tensile testing
- Uti-Lok provide superior resistance to corrosion as needed in harsh environments such as marine and mine sites

### TECHNICAL INFORMATION

- 316 grade stainless steel material
- Temperature range of -80°C to +500°C
- Absolutely fireproof and UV-resistant
- Loop tensile strength of 4.6mm width: (445N) 45kg
- Loop tensile strength of 7.9mm width: (1112N) 113kg
- Tools: #115 and #116

### Regular - SS 316 4.6mm

Catalogue Reference	Length	Width	Metal Thickness	Max Bundle Dia.	Tensile Strength
	(mm)	(mm)	(mm)		(kg)
CT2004SS	200	4.6	0.25	50	45
CT3604SS	360	4.6	0.25	102	45
CT5204SS	520	4.6	0.25	152	45

### Regular - SS 316 7.9mm

Catalogue Reference	Length	Width	Metal Thickness	Max Bundle Dia.	Tensile Strength
	(mm)	(mm)	(mm)		(kg)
CT2008SS	200	7.9	0.25	50	113
CT3608SS	360	7.9	0.25	102	113
CT5208SS	520	7.9	0.25	152	113
CT6808SS*	680	7.9	0.25	202	113
CT8408SS*	840	7.9	0.25	254	113
CT10008SS*	1000	7.9	0.25	300	113

Note \* Special order - minimum order quantities apply



## UTI-LOK

Roller ball coated stainless steel ties

### FEATURES

- Uti-Lok stainless steel cable ties provide solutions for all your clamping problems. Uti-Lok are used world wide to secure poles, cables, pipes and a host of other clamping functions.

### APPLICATIONS

- They are the perfect choice for Indoor, Outdoor and Underground applications. Uti-Lok are safe to the operator, having burr free edges
- Uti-Lok are subjected to rigorous physical testing during production, including random loop tensile testing
- Uti-Lok provide superior resistance to corrosion as needed in harsh environments such as marine and mine sites

### TECHNICAL INFORMATION

- 316 grade stainless steel material
- Temperature range of -80°C to +150°C
- Pure polyester and epoxy coating
- Fireproof, halogen free and UV-resistant
- Loop tensile strength of 4.6mm width: (667N) 68kg
- Loop tensile strength of 7.9mm width: (1335N) 136kg
- Tools: #115 and #116

### Regular - SS 316 4.6mm

Catalogue Reference	Length	Width	Metal Thickness	Max Bundle Dia.	Tensile Strength
	(mm)	(mm)	(mm)		(kg)
CT2004CSS	200	4.6	0.25	60	68
CT3604CSS	360	4.6	0.25	102	68
CT5204CSS	520	4.6	0.25	152	68

### Regular - SS 316 7.9mm

Catalogue Reference	Length	Width	Metal Thickness	Max Bundle Dia.	Tensile Strength
	(mm)	(mm)	(mm)		(kg)
CT2008CSS	200	7.9	0.25	50	136
CT3608CSS	360	7.9	0.25	102	136
CT5208CSS	520	7.9	0.25	152	136
CT6808CSS*	680	7.9	0.25	202	136
CT8408CSS*	840	7.9	0.25	254	136
CT10008CSS*	1000	7.9	0.25	300	136

Note \* Special order - minimum order quantities apply



## UTI-LOK

Spring type roller ball

### FEATURES

- Uti-Lok stainless steel cable ties provide solutions for all your clamping problems. Uti-Lok are used world wide to secure poles, cables, pipes and a host of other clamping functions.
- The unique spring form maintains greater installed tension on non-resilient objects

### APPLICATIONS

- They are the perfect choice for Indoor, Outdoor and Underground applications. Uti-Lok are safe to the operator, having burr free edges
- Uti-Lok are subjected to rigorous physical testing during production, including random loop tensile testing
- Uti-Lok provide superior resistance to corrosion as needed in harsh environments such as marine and mine sites

### TECHNICAL INFORMATION

- 316 grade stainless steel material
- Temperature range of -80°C to +500°C
- Loop tensile strength of 4.6mm width: (667N) 68kg
- Loop tensile strength of 7.9mm width: (1335N) 136kg
- Tools: #115 and #116

### Regular - SS 316 4.6mm

Catalogue Reference	Length	Width	Metal Thickness	Max Bundle Dia.	Tensile Strength
	(mm)	(mm)	(mm)		(kg)
CT2004SSS	200	4.6	0.25	50	45
CT3604SSS	360	4.6	0.25	100	45

### Regular - SS 316 7.9mm

Catalogue Reference	Length	Width	Metal Thickness	Max Bundle Dia.	Tensile Strength
	(mm)	(mm)	(mm)		(kg)
CT2008SSS	200	7.9	0.25	50	113
CT3608SSS	360	7.9	0.25	100	113

## Band Clamp and Buckles

Utilux band clamp and buckles have been an industry standard for 40+ years



### FEATURES

- Durable
- Smooth edges to avoid cuts
- Convenient 30 metre rolls
- Handy colour coded plastic carry packs
- Matt finish

### APPLICATIONS

- Developed to meet the growing electrical distribution industries need for a high tensile product able to be cut from a reel and easily fastened without the limitation of cable ties
- Made from 201 grade stainless steel for it's superior tensile strength or 304 grade stainless steel for corrosive environments

### BENEFITS

- ♦ The band clamp comes in handy plastic dispensers with a built in carry handle and colour coding to make selection of correct band width easy

### Regular Bands



Catalogue Reference	Catalogue Reference	Length	Width	Thickness	Buckles	Carrier Colour
		(m)	(mm)	(mm)		
201 Grade	304 Grade					
H3013M-30	H3413M-30	30	9.5	0.65	H3001	Red
H3016M-30	H3416M-30	30	12.7	0.75	H3004	Yellow
H3019M-30	H3419M-30	30	16	0.75	H3007	Gray
H3022M-30	H3422M-30	30	19	0.75	H3010	Blue

Note 316 grade available to special order MOQ

### Coated Bands



Catalogue Reference	Length	Width	Thickness	Buckles	Carrier Colour
	(m)	(mm)	(mm)		
H82400-20	20	10	0.7	H82401	Yellow

Note 316 grade available to special order MOQ

### R-Loc buckles (jaw type) for single or double wrapped



Catalogue Reference	For Band Width	Packing
H3001	9.5 mm	100 pcs per box
H3004	12.7 mm	100 pcs per box
H3007	16 mm	100 pcs per box
H3010	19 mm	100 pcs per box

### Band Clamp Tool



Catalogue Reference	Features	Range
#46	high tension steel	all widths

## Cable Tie Tools

Tools for cutting cable ties



#115



#116



#68



#69

### Cable Tie Tools

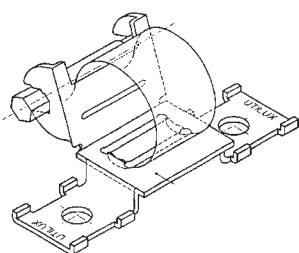
Catalogue Reference	Features	Range
#115	tensions & cuts - adjustable settings	all stainless steel ties
#116	manual cut off	all stainless steel ties
#68	heavy duty, manual cut off	2.5-10mm wide Uti-ties
#69	auto cut off	2-4.8mm Uti-ties



CBH30-100



CBH30-100V



## CBH30

Cable holders for securing electrical cables

### FEATURES

- The design of the cable holder allows for a variety of sizes of cable, due to the variable adjustment and locking points

### APPLICATIONS

- For securing electrical cable from a diameter of 30mm up to 100mm, to a power pole or beam

### BENEFITS

- ♦ Dual support legs which allow for dual fixing to a pole
- ♦ Optional fixing methods, either using a bolt or band clamp strapping
- ♦ Material: The clamp body is made from mild steel, which has been blanked and formed, then hot-dip galvanised
- ♦ The strap is made from 304 grade stainless steel
- ♦ The pin is zinc die cast

### Cable Holders

Catalogue Reference	Cable	Description
CBH30-100	30-100mm dia.	pole mounted clamp - horizontal
CBH30-100V	30-100mm dia.	pole mounted clamp - vertical





## SC 22

MV/HV insulated unipolar cable support clamps

### FEATURES

- Wide range : from Ø 25 mm. to Ø 141 mm
- Excellent mechanical and corrosion resistance performances
- Our clamps are made from non-magnetic stainless steel, equipped with an EPDM protection sleeve with alveolate structure

### TESTING

- The products are tested according to the EN 50368 standard and meet the performance criteria concerning the shocks and mechanical loads, the short-circuit and the flame resistance

### BENEFITS

- ♦ Easy to install, the already assembled support and its protection sleeve make it possible to fix, maintain, support and protect any type of insulated cable

### Cable Support Clamps

Catalogue Reference	Capacity	Cable Section	Pack Qty
		(mm <sup>2</sup> )	
SC 22 32 M10	25 - 32.9	95	6
SC 22 40 M10	33 - 40.9	95	6
SC 22 45 M10	41 - 45.9	240	6
SC 22 55 M10	46 - 55.9	630	6
SC 22 60 M10	56 - 60.9	630	6
SC 22 70 M10	61 - 70.9	1200	6
SC 22 85 M10	71 - 85.9	1200	1
SC 22 95 M10	86 - 95.9	1200	1
SC 22 110 M10	96 - 110.9	1200	1
SC 22 120 M10	111 - 120.9	1200	1
SC 22 130 M10	121 - 130.9	1200	1
SC 22 140 M10	131 - 140.9	1200	1



## 51 Series

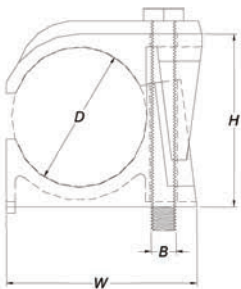
Cast aluminium single cable clamps

### FEATURES

- The internal cable bearing surfaces are designed to prevent damage to the cable sheath

### MATERIAL

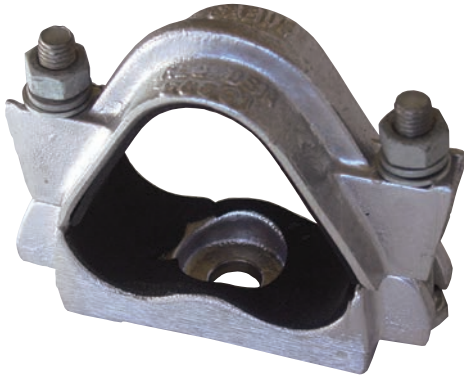
- ♦ Cast aluminium clamps with an interlocking base and top



### Single Cable Clamps

Catalogue Reference	Cable OD (D)	H	W	Bolt Diameter (B)
	(mm)	(mm)	(mm)	(mm)
CC5125SWSB	19-25	31	41	10
CC5130SWSB	24-30	36	46	10
CC5135SWSB	29-35	41	51	10
CC5141SWSB	34-41	48	58	10
CC5147SWSB	40-47	54	64	10
CC5154SWSB	46-54	61	71	10

Note Fixing bolt supplied by customer



## 54 Series

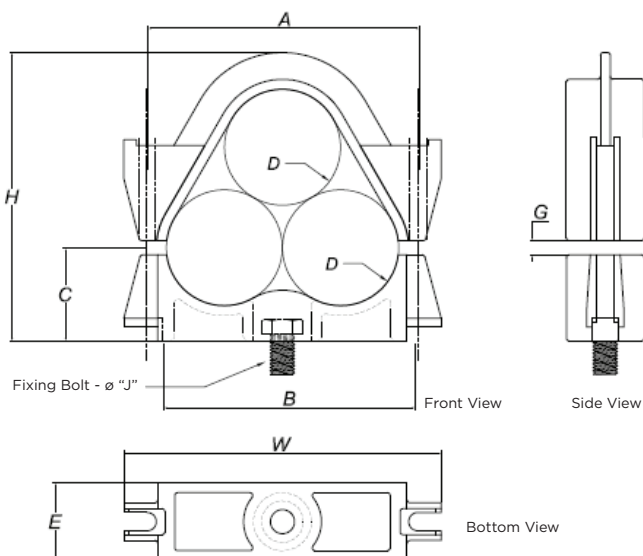
Cast aluminium trefoil clamps

**APPLICATIONS** ▪ Cast aluminium clamps designed for three single core cables arranged in a trefoil configuration

**BENEFITS** ♦ Corrosion resistant and available with neoprene insert

### Trefoil Clamps

Catalogue Reference	Catalogue Reference	Cable OD (mm)	Dimensions (mm)						Fixing Bolt (1)	Side Bolt (2)	W
	(Neoprene Insert)		A	B	C	E	G	H			
CC5420TREF	CC5420NITREF	19-20	58	73	16	35	4	51	2	M8	81
CC5427TREF	CC5427NITREF	25-27	68	80	22	38	5	71	2	M8	89
CC5429TREF	CC5429NITREF	27-29	70	80	22	38	5	73	2	M8	89
CC5435TREF	CC5435NITREF	33.5-35	87	76	30	38	5	97	M10	M8	108
CC5437TREF	CC5437NITREF	35-37	87	80	32	38	5	97	M12	M10	111
CC5440TREF	CC5440NITREF	38-40	98	88	35	40	6.5	104	M12	M10	118
CC5442TREF	CC5442NITREF	40.5-42.5	102	94	35	41	6.5	111	M12	M10	124
CC5446TREF	-	44.5-46.5	108	100	35	45	6.5	113	M12	M10	130
CC5448TREF	CC5448NITREF	46-48	113	104	40	45	6.5	122	M12	M10	134
CC5449TREF	-	48-50	114	110	42	45	6.5	125	M12	M10	136
CC5452TREF	CC5452NITREF	50-52	122	112	40	45	6.5	127	M12	M10	143
CC5454TREF	CC5454NITREF	52-54	126	116	42	45	6.5	131	M12	M10	148
CC5456TREF	CC5456NITREF	54-56	130	121	45	47	6.5	135	M12	M10	151
CC5459TREF	CC5459NITREF	56.5-59	130	121	45	48	6.5	137	M16	M10	152
CC5463TREF	CC5463NITREF	60-63	152	140	50	60	7	160	M16	M12	180
CC5467TREF	CC5467NITREF	64-67	160	148	53	60	7	167	M16	M12	188
CC5472TREF	CC5472NITREF	66-72	166	-	55	62	6.5	160	3,4	M12	198
CC5478TREF	CC5478NITREF	75-78	182	170	58	62	7	187	M16	M12	212
CC5482TREF	CC5482NITREF	79-82	191	180	62	62	9.5	199	M16	M12	228
CC5488TREF	CC5488NITREF	84-88	202	190	66	65	10	201	M16	M12	235
CC5495TREF	CC5495NITREF	93-95	218	204	71	67	12	223	M16	M12	253



1. Fixing Bolt is customer supplied
2. Side bolts are supplied with all clamps except CC5420TREF, CC5427TREF and CC5429TREF.  
Standard bolt type is 304 stainless steel.
3. No central fixing bolt hole J. Fixing by means of 2 side mounted bolts
4. Adaptor plate for central fixing is available

#### Neoprene Inserts (NI)

Standard NI insert is 3mm thick. Other sizes are available upon request.

Cable OD range is reduced by 3mm ie. CC5454NITREF range becomes 49-51mm



## 58/59 Series

Cast aluminium single cable clamps

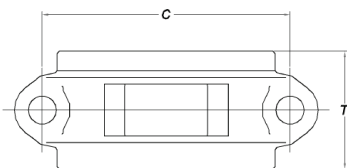
- APPLICATIONS**
- Cast aluminium two-bolt fix and locate cable clamps designed for channel mount -58 series or surface mount -59 series
  - Available with neoprene insert
- BENEFITS**
- ♦ Channel mount interlocks with standard fixing channels

### Trefoil Clamps

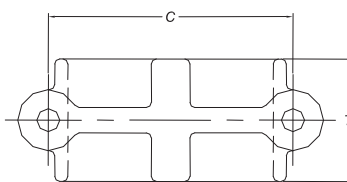
Catalogue Reference	Catalogue Reference	Cable OD (mm)	Dimensions (mm)				Fixing Bolt Length	Fixing Bolt Hole Dia
	(Neoprene Insert)	(mm)	C	W	T	H	(mm)	(mm)
CC5857SWDB	CC5857NISWDB	50-57	77	99	45	69	65	10
CC5864SWDB	CC5864NISWDB	56-64	84	106	45	76	70	10
CC5870SWDB	CC5870NISWDB	62-70	90	112	45	82	70	10
CC5877SWDB	CC5877NISWDB	68-77	97	119	45	89	75	10
CC5884SWDB	CC5884NISWDB	75-84	105	127	50	96	75	10
CC5955SWDB	CC5955NISWDB	50-55	70	93	45	67	ns	10
CC5960SWDB	CC5960NISWDB	55-60	73	96	45	72	ns	10
CC5967SWDB	CC5967NISWDB	61-67	80	105	45	79	ns	10
CC5974SWDB	CC5974NISWDB	70-74	89	112	50	88	ns	10
CC5981SWDB	CC5981NISWDB	76-81	96	121	50	95	ns	8
CC5978SWDB	CC5978NISWDB	73-78	92	114	50	94	ns	10
CC5987SWDB	CC5987NISWDB	82-87	102	126	50	101	ns	8
CC5992SWDB	CC5992NISWDB	86-92	110	134	59	118	ns	12
CC5998SWDB	CC5998NISWDB	91-98	114	138	55	125	ns	10
CC59105SWDB	CC59105NISWDB	101-105	124	154	65	120	ns	12
CC59123SWDB	CC59123NISWDB	118-123	149	185	52	170	ns	12

NS Fixing bolts supplied by customer

### Channel Mount - 58 Series

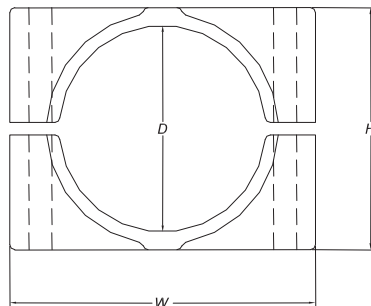
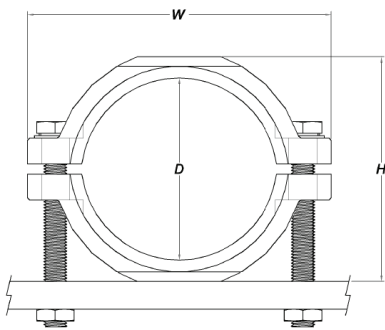


### Surface Mount - 59 Series



Standard neoprene insert is 3mm thick. Other sizes are available upon request.

Cable OD range is reduced by 3mm ie. CC5870NISWDB range becomes 59-67mm



TE Connectivity (NYSE: TEL) is a \$12 billion global technology leader. Our connectivity and sensor solutions are essential in today's increasingly connected world. We collaborate with engineers to transform their concepts into creations - redefining what's possible using intelligent, efficient and high-performing TE products and solutions proven in harsh environments. Our 75,000 people, including 7,300 design engineers, partner with customers in close to 150 countries across a wide range of industries. We believe EVERY CONNECTION COUNTS - [www.TE.com](http://www.TE.com).

- Mining
- Nuclear power plants
- OEMs
- Overhead distribution
- Petrochemical plants
- Railways
- Street lighting
- Substations
- Transmission lines
- Underground distribution
- Windfarms
- Solar
- Hydro-electric

WHEREVER ELECTRICITY FLOWS, YOU'LL FIND TE ENERGY



[te.com/energy](http://te.com/energy)

**FOR MORE INFORMATION:**

**TE Customer Support Centers**

NSW/QLD/NT/ACT: +61 (2) 9554 2695  
VIC/TAS/SA: +61 (3) 9271 5243  
WA: +61 (8) 9358 7806  
New Zealand: +64 (9) 634 4580  
Email: [marketingANZ@te.com](mailto:marketingANZ@te.com)

[te.com/energy](http://te.com/energy)

© 2016 TE Connectivity Ltd. family of companies. All Rights Reserved. EPP-1988-AU-4/16

Utilux, TE Connectivity and the TE connectivity (logo) are trademarks of the TE Connectivity Ltd. family of companies. Other logos, product and Company names mentioned herein may be trademarks of their respective owners. While TE has made every reasonable effort to ensure the accuracy of the information in this brochure, TE does not guarantee that it is error-free, nor does TE make any other representation, warranty or guarantee that the information is accurate, correct, reliable or current. TE reserves the right to make any adjustments to the information contained herein at any time without notice. TE expressly disclaims all implied warranties regarding the information contained herein, including, but not limited to, any implied warranties of merchantability or fitness for a particular purpose. The dimensions in this brochure are for reference purposes only and are subject to change without notice. Specifications are subject to change without notice. Consult TE for the latest dimensions and design specifications.